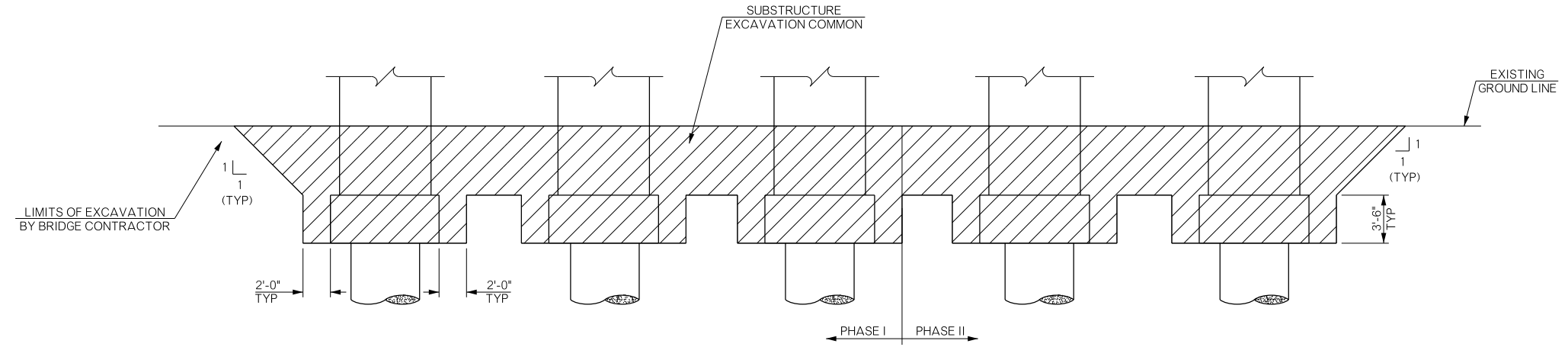
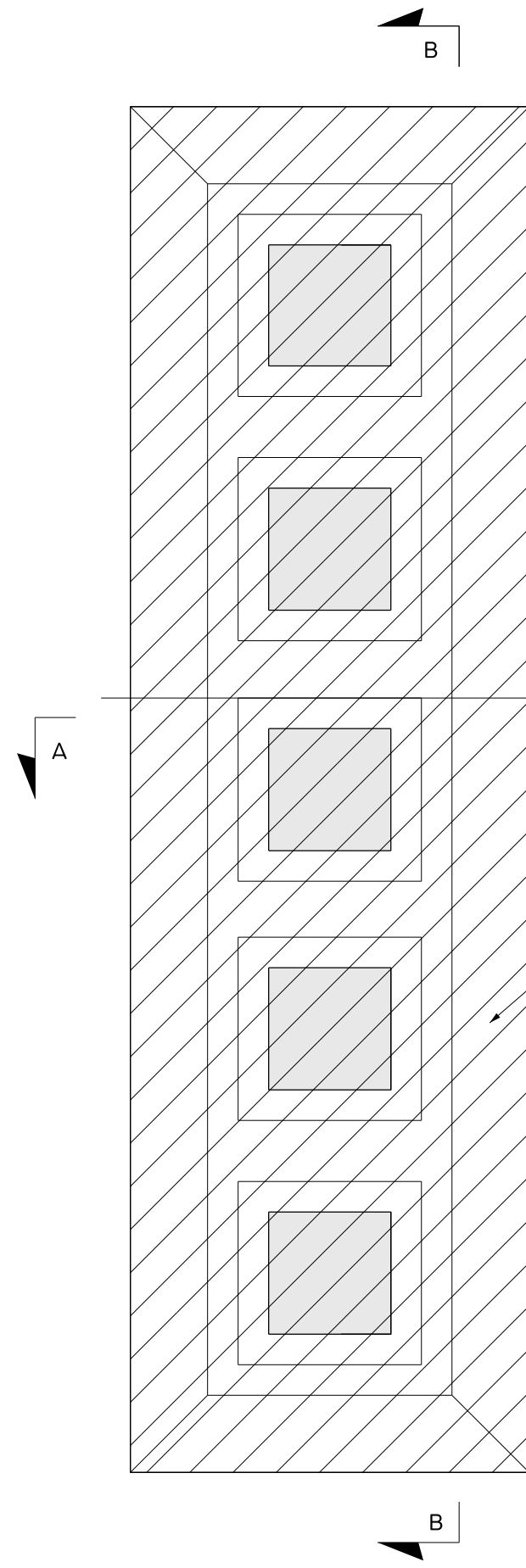
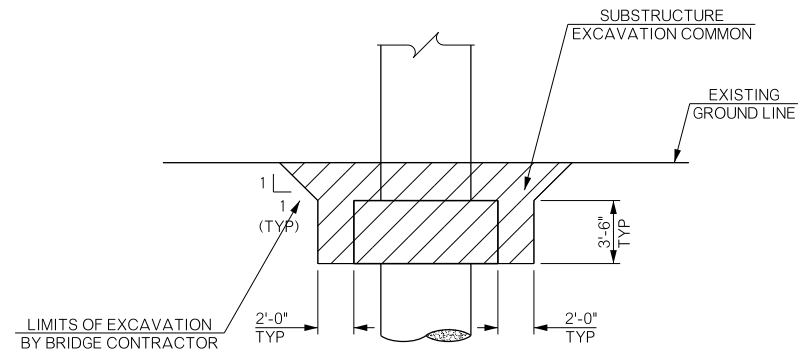


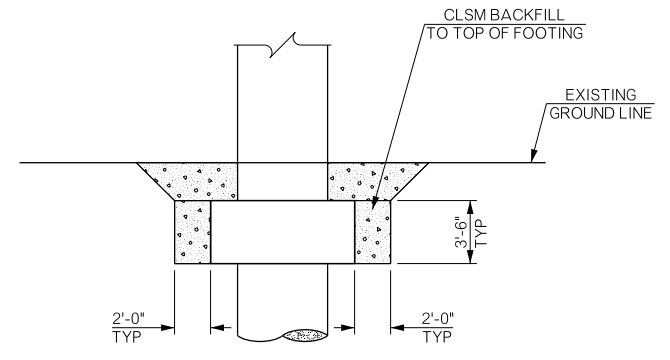
REVISIONS		
REV. NO.	DESCRIPTION	DATE



SECTION B-B



SECTION A-A



PIER BACKFILL DIAGRAM

PLAN

BRIDGE "A"		LOGAN COUNTY		Design	GT	11/15
SH-33 OVER COTTONWOOD CREEK				Detail	DJT	7/16
PIER SUBSTRUCTURE EXCAVATION				Check	JCH	XX
				Squad	PEARSON	
				Engr.	HERNANDEZ	
STATE OF OKLAHOMA		DEPARTMENT OF TRANSPORTATION				
JOB/PIECE NO. 21860(04)		SHEET NO. B016				